

Bedpan washer-disinfectors CT 100 Compact CT 100 Compact PERLAVO



Compact-format bedpan washer-disinfectors

Hygiene power on only 0.5 m²!

• multifunctional

• effective – to A0 3000

• compact

Hygiene, efficiency, and ergonomics
even in a confined space

 erlen med

HYGIENE · TECHNOLOGY · SERVICE

Compact low height machine
CT 100 Compact



This washer-disinfector fits even into very small niches, and can also be moved around easily. It can be installed under existing worktops, thus further reducing the space required. This model is specifically designed with care facilities for the elderly in mind.

Product information for both compact machines:

Bedpan cleaning and disinfection system for cleaning and disinfecting all types of care utensils in a single work cycle. Approval pursuant to DIN EN 15883-1 and 3.

Reprocessing is carried out by means of decentralised thermal disinfection, and includes a dosing unit for a water softener. Automatic door locking and safety monitoring ensure operator safety.

Compact low height machine
CT 100 Compact PERLAVO



This machine provides great power in the smallest space, with wash hand basin integrated as standard. The overall width of only 50 cm as a standalone machine, and 95 cm when supplemented with a waste water outlet, provides **hygiene, efficiency, and ergonom**y even in confined spaces.

A high level of operating convenience is achieved by one-touch keys for three programmes:

- Short cycle for three urine bottles (with reduced water consumption)
- Normal cycle for bed pans or commode buckets plus one urine bottle
- Intensive cycle, specially for heavy soiling

The display provides in plain language all the information required for care and maintenance (operating instructions, error messages, servicing, and achieved A0 values). In addition, the system carries out a self-disinfection programme at freely-selectable intervals to fulfil the guidelines set out in DIN EN ISO 15883-3.

All the technical components, with the exception of the pumps and steam generators, are designed in 24 volt technology. This low voltage makes it possible to inspect, for example, the door contact, the dosing pump, or the solenoid valves while the machine is in operation, without risk of injury. It is possible to program customer-specific requests for the operation of the disinfection programmes and service checks in a user-friendly manner, either via the control panel or a PC interface – including of course modifying the desired A0 values. The internal recording of the processes and automatic maintenance requests ensures operational safety. As a standard feature, the machine can be locked to prevent unauthorised operation.

The standard ten-jet rinsing system provides superb cleaning results without shadow zones, thanks to its tried and tested jet blade and its ceiling and urine-bottle nozzles.

Technical data:	
Voltage:	230 V/Power rating: 3000 W
Fuse:	separate 16 A fuse
Protection class:	I/Protection class: IP 20
Hot water temperature:	max. 70°C
Pressure range, water inflow:	100 to 1000 kPa
Disinfection:	Thermal 80 to 95 °C
Pump power:	370 W
Noise generation:	max. 70 dBA
Requirements at installation location:	
Water connection:	Cold and hot water connection 3/4" external thread, flat seal All water connections to be fitted with stop valve Outlet DN 90 or 100
Electrical connection:	Plug 230 V/16 A Earth leakage circuit-breaker with max. rated residual current 30 mA Electrical installation in accordance with DIN IEC/VDE

Components	CT100 Compact	CT100 Perlavo
Casing, washing chamber, and tank in 1.4301 stainless steel	●	●
Approved to EN 15883-1 and 15883-3	●	●
A0 value can be set as desired	●	●
Dual A0 monitoring with alarm	●	●
Thermal system - self-disinfection	●	●
Washing programmes can be set as desired	●	●
Temperature sensors can be calibrated	●	●
Tank overflow protection in the washing chamber	●	●
Plain language display	●	●
Safety locking in the event of an error	●	●
Control system tested in accordance with EN 61010:2002/2004	●	●
Software evaluation as per EN 60335-1/A1	●	●
Power supply 230 Volt/16 A/3 KW	●	●
Low voltage valves	●	●
Infinitely variable thermal disinfection with continuous steam flow	●	●
DN 90 outlet (vertical or horizontal as desired)	●	●
Floor wetness sensor	●	●
Siphon monitoring	●	●
Collection pipe	●	●
Steam-tight washing chamber with circumferential seal	●	●
Active drying support ¹	—	—
Semi-automatic door opening with foot switch ¹	—	—
Connection to in-house or central steam	●	●
Dosing system for grease remover or intensive cleaner	●	●
"E" high performance cleaning system with stainless steel rotary nozzles and controlled pressure distribution	—	—
Wall mounting	—	—
"R" rim flushing function via switching valve	—	●
RAL powder coating	—	—
Wash hand basin	—	●
Cover with ridged edge	—	●
Single-lever mixer tap	—	●
WC installation-ready	—	—
Flushing system for WC	—	—
Waste water outlet at side, with cover		
in 450 mm width	—	●
in 500 mm width	●	—
Operation via separate tank system ²	●	●
Single lever mixer tap for the cover	●	●
Machine and batch documentation with DataBox	●	●
and DataLAN /DataW-LAN	●	●
and matrix printer for on-the-spot documentation	—	—
EuroKompakt software and interface for PC-supported machine monitoring	●	●

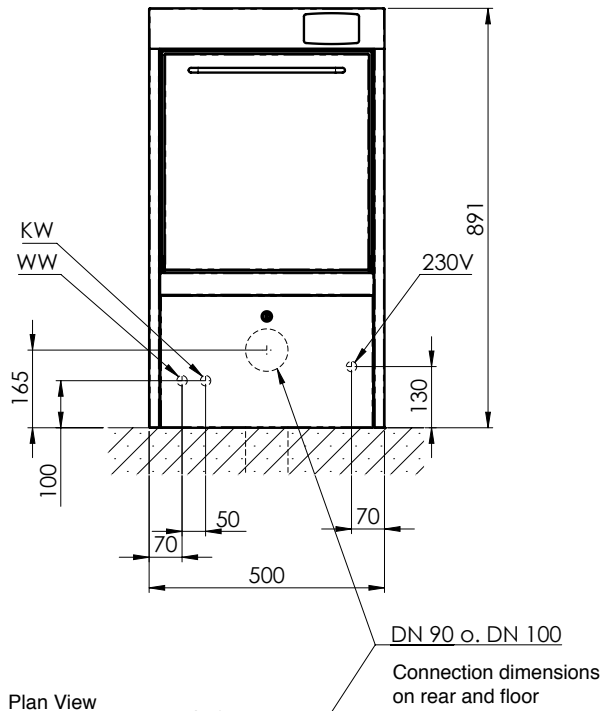
Key: ● Basic version ● Option — Not possible

¹ Option possible only for vapour-tight washing chamber

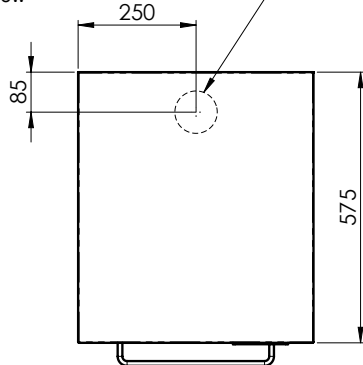
² Option for 500 mm width

Installation drawing CT100 Compact:

Front View



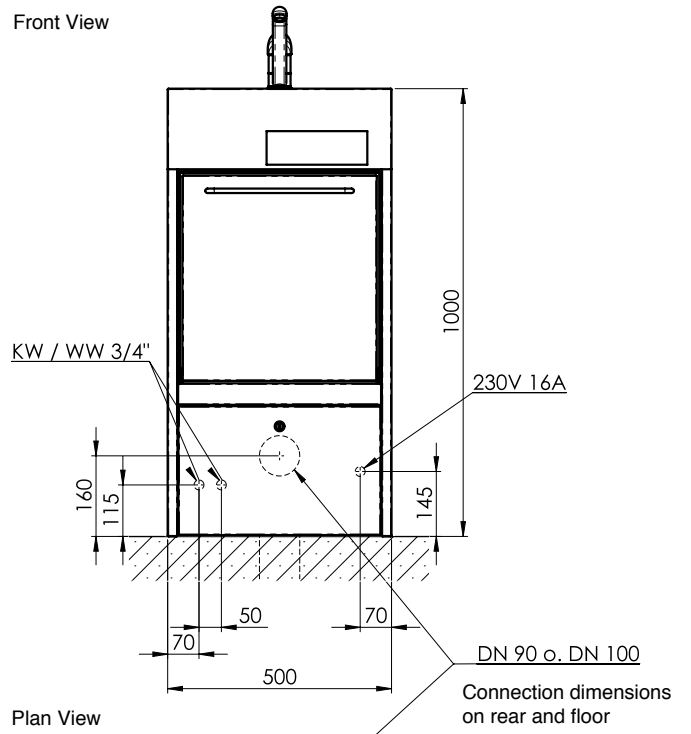
Plan View



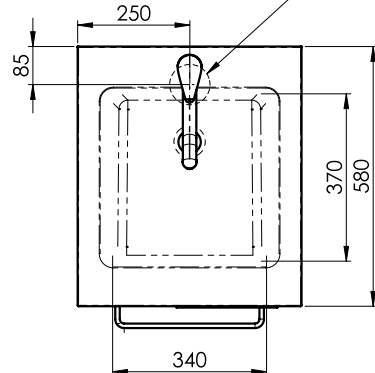
Dimensions in mm · Representation includes optional items

Installation drawing CT100 Compact Perlavo:

Front View



Plan View



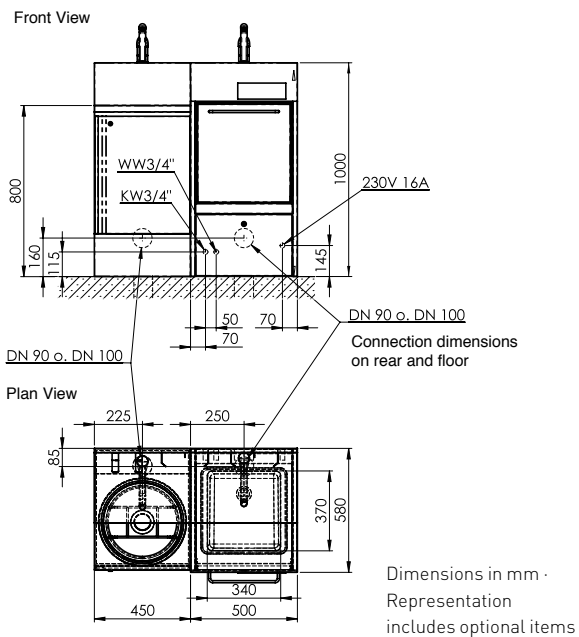
Dimensions in mm · Representation includes optional items



Hygiene power on only 0.5 m²!

Equipment example for complete package: PERLAVO care-work combination with options

Installation drawing CT100 Compact Perlavo combination:



Series CT 100 bedpan washer and disinfection machines

Our further model variants



CT100S 1.70
Image includes optional items.



CT100S 1.45



CT100S WC
Image includes optional items.



CT100TI nursing-care combination. Image includes optional items.



CT 100 ENS slide-in machine

Our recommendation for the best results:

ERKUREX-STECKURON inhibits scale, and works as a dispersing agent and rinse aid for treating boiler water during thermal disinfection.

ERKUREX-STECKURON is pH-neutral and non-toxic.

Its level of biological degradation and elimination in waste water is > 90 %.

- Suitable for all commercially available cleaning and disinfection machinery
- Outstanding water-softening and protection against lime scale
- Outstanding fleck-free rinsing
- Only small amounts required
- Pleasant odour



Convenient renovation of bedpan washer-disinfectors
in hospitals and care facilities

Renovation instead of (new) investment!



When does the need to take action occur?

- when the usability of bedpan washer-disinfectors is no longer assured
- when the legal framework conditions change
- when machines operate inefficiently in financial terms
- when deficits in hygiene become evident

Avail of our more than 30 years experience in the area of bedpan cleaning and disinfection.

The renovation of bedpan washer-disinfectors takes place on-site, using a conversion kit. Within 2 to 3 hours, the complete technology of the old equipment is replaced without other modifications. Around 90% of the machines sold in Germany can be renovated in this way.

The benefits to you:

- Compliance with standard DIN EN ISO 15883-1 and -3
- Hygienic security thanks to selectable A0 value and individual cleaning programmes
- Production workshops certified to EN ISO 13485: 2007
- Type-tested by TÜV-Nord
- Patented system (patent no. 19 50 98 77, Federal Republic of Germany)
- Proven in use hundreds of times over

The conversion kit allows bedpan disinfection machines to be re-equipped to the latest state of the art. This means that old, failure-prone and therefore cost-intensive machines are given a new lease of life.

The conversion kit replaces the technology of the old machine without requiring significant work on stainless steel components. The functional unit is built into the disinfection machine on-site, as compact assemblies. If necessary, the washing system can also activate rim flushing in waste water outlets.

Our renovation concept

Determine the situation: Is a renovation possible?

Record the situation – validation – advice

What are the possible options?

- 1 Maintenance/repair, where it makes technical and financial sense
- 2 Complete technical overhaul of the machine on-site using the conversion kit for bedpan washer-disinfectors, as per DIN EN ISO 15883-3
- 3 Purchase of replacement new machinery or in the case of extension work

We show you different action options, and thus offer you a transparent basis for decision-making.

The technology

What happens during renovation?

- Removal of the old technology: electronics, tank, pump, valves, control panel/display
- The following are repaired or maintained: jet blades/jets, pipework, door mechanisms
- Installation of the conversion kit into the existing inspection space: tank, pressure pump, dosing pump, steam generator, control electronics, control panel/display, valves, temperature sensors, door locking, etc.

The costs

Because renovation takes 2 to 3 hours on-site, there is almost no downtime. The machines are not dismantled, and the valuable stainless steel components are retained.

For the price of a new nursing-care combination, three machines can be renovated. The running costs for maintenance, replacement parts, and repairs come to less than €200 per year (240 machine years were evaluated).

Overhaul is therefore up to 70% cheaper than a new purchase. In addition, renovation results in a noticeable reduction in energy and water consumption.

The result: A new piece of medical technology fulfilling technical, legal, and hygienic requirements, and which is efficient in terms of ecology and finance.

UTD/UTD-R/UTD-E conversion kit – the technology

Our conversion kit allows almost all current bedpan disinfection machines to be upgraded to the latest state of the art.

Simple, quick, and clean

The conversion of the bedpan disinfectors takes place on-site through the installation of a patented conversion kit. Old failure-prone and cost-intensive machines are fitted with a modern, energy-saving steam disinfection system, and thus brought up to the latest state of the art. Chemical machines are converted to thermal machines. The complete technology of the old machine is thus replaced within a few hours. The valuable stainless steel components are retained, and mechanical conversion or structural measures on the care combination are unnecessary.

The functions at a glance

- automatic thermal self-disinfection of all water-bearing components – no germ contamination from cooling back (confirmed by expert report)
- duplicate A0 value monitoring
- continuous steam flow to reach any desired level for A0 values
- A0 values can be set as desired (ex-works setting in accordance with RKI recommendation: 600)
- Calibratable temperature sensors
- Overflow protection for washing chambers
- Safety locking in the case of an error
- Validated renovation process
- Optionally available with rim flushing function/WC flushing via switching valve
- Control system tested as per EN 61010: 2002/2004
- Software evaluation as per EN 60335-1/A1

Components

- Stainless steel submersible pump
- Stainless steel tank with cleaning pump
- Control electronics/LC control panel
- Circulation pump/dosing pump
- Tank sensor/temperature sensor
- Cable set/locking unit
- Steam generator
- Solenoid valve set
- Suction lance
- Heating system
- Optionally available with rim flushing (model UTD-R) for automatic cleaning of sinks



The technology

UTD: simple version suitable for most applications; enables compliance with EN ISO 15883-3 through its regular automatic self-disinfection of the system – germ recontamination of the goods after the disinfection phase is thus almost completely excluded.

UTD-R: With additional technology to provide rim flushing for waste water outlets.

UTD-E: Version for demanding tasks, e.g. in the intensive area. In addition to the UTD functions, more disinfection jets can be powered by means of a more powerful pump.

Dual-protected A0 value monitoring

The new UTD conversion kit is equipped with a particularly secure measurement method for monitoring the A0 value: The disinfection temperature in the washing chamber is monitored by two sensors independent of one another. One of them is read by the control system, and the other by the control panel's microprocessor. If there is a significant deviation between the two determined A0 values, an alarm is created.

Technical data:

Voltage:	230 V/Power rating: 3000 W
Fuse:	separate 16 A fuse
Protection class:	I/Protection class: IP 20
Hot water temperature:	max. 70°C
Pressure range, water inflow:	100 to 1000 kPa
Dimensions (H x L x B) max:	440 x 490 x 300 mm
Weight (empty):	16.5 kg
Disinfection:	Thermal 80 to 95 °C
Pump power:	370 W
Noise generation:	max. 70 dBA

Water and energy consumption:

Consumption values achieved (average values for 1 wash cycle)

Programme	Cold water	Hot water	Energy
Short programme	11.7 litres	9.3 litres	0.22 kWh
Normal programme	16.4 litres	9.4 litres	0.24 kWh
Intensive programme	21.2 litres	10.6 litres	0.20 kWh

Machine tested:

ZK chamber (S075) with UTD no. 12/11-3889, control system 121/11 version 2.9
 Starting conditions: Cold water: 15.6 °C, hot water: 62.6 °C
 Ambient temperature: 20.5 °C
 Loaded with: 1 bedpan
 Set parameters: A0 value 600 (approx. 720 to 750 is achieved)

Erlen GmbH

Carl-Still-Str. 22
 D-45659 Recklinghausen
 Phone +49(0)2361 9292-0
 Fax +49(0)2361 929292
 info@erlen.de
 www.erlen.de



HYGIENE · TECHNOLOGY · SERVICE